



NP5200 Series

DIN-Rail Mounting

1/2/4 RS-232/485/422 3IN1 Safe Serial Server

- Support 1/2/4 3IN1 serial ports to 2 10/100Base-T(X) self-adaptive Ethernet interfaces
- Support network modes such as redundant mode, switching mode and dual IP mode to meet the needs of various network environments
- Support RealCom, Reverse RealCom, TCP Server, TCP Client, UDP Server, UDP Client, Pair Master, Pair Slave, UDP Rang, UDP Multicast, Telnet, Reverse Telnet, RFC2217, Redundant COM, DRDAS RealCom, DRDAS TCP Server and other operating modes
- Support dual power supply 12~48VDC wide voltage input range
- Support -40~ 75°C wide temperature operation



Introduction

NP5200 series are the safe serial networking server that can make serial device be equipped with networking capability instantly and centrally manage the scattered serial devices and hosts via network. This product supports 1/2/4 RS-232/485/422 serial ports to 2 100M Ethernet copper ports. It adopts rack mounting to meet the requirements of different application scenes.

Serial device server supports multiple network protocols, such as TCP, UDP, RFC2217, TELNET, ARP, ICMP, HTTP, HTTPS, SNMP, SSH, SMTP, SNTP, DNS, BOOTP and DHCP protocol. It also possesses complete management functions, including Access Control, Rapid Configuration, Online Upgrading and so on. Each serial port supports 4 TCP or UDP session connections, and it also supports RealCom, Reverse RealCom, TCP Server, TCP Client, UDP Server, UDP Client, Pair Master, Pair Slave, UDP Rang, UDP Multicast, Telnet, Reverse Telnet, RFC2217, Redundant COM, DRDAS RealCom and DRDAS TCP Server work modes and TELNET, WEB and SSHD access modes. Furthermore, supplied management configuration tool based on Windows platform can guide the user to manage and configure the device, achieving immediate networking of serial device via simple settings. It can provide users with good experience with friendly design of network management system interface, simple and convenient operation.

This product supports DIP switch or RST button, which can achieve the device restore factory defaults. Hardware adopts fanless, low power consumption, wide temperature and voltage design and has passed rigorous industrial standard tests, which can adapt to the industrial scene environment with harsh requirements for EMC. It can be widely used in custom checkpoint system, smart gas station, data center and industrial automation, etc.

Features and Benefits

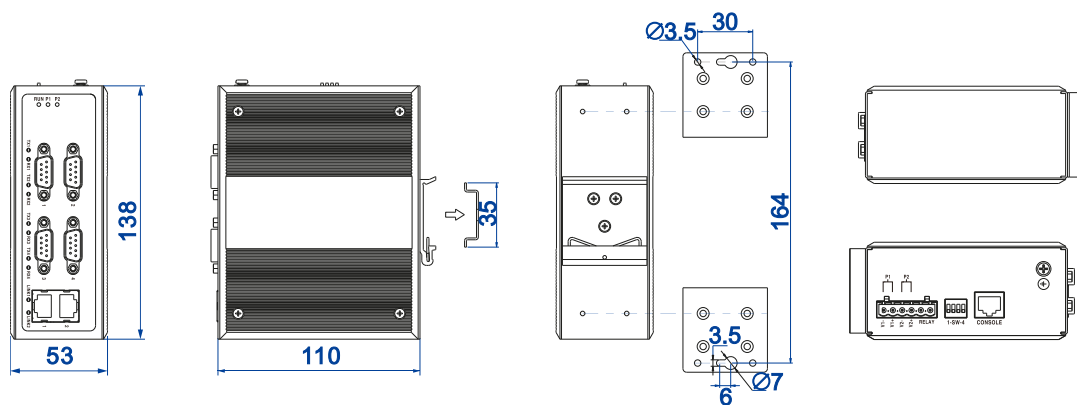
- ⦿ Support 2 10/100Base-T(X) self-adaptive Ethernet interfaces and provide dual IP and MAC addresses to meet the requirements of multi-network management or network backups
- ⦿ Support 110bps-115200bps (customizable 921600bps) line speed and non-blocking communication
- ⦿ Support RealCom, Reverse RealCom, TCP Server, TCP Client, UDP Server, UDP Client, Pair Master, Pair Slave, UDP Rang, UDP Multicast, Telnet, Reverse Telnet, RFC2217, Redundant COM, DRDAS RealCom, DRDAS TCP Server and other operating modes
- ⦿ Support cross-gateway and cross-router communication
- ⦿ Support multiple hosts polling mode, which allows multiple hosts to access the same serial port
- ⦿ Support delimiter matching communication, achieving various demands for serial port packaging

- ⦿ Support FIFO, compatible with various old type terminal devices
- ⦿ Support IP address and MAC address filtering, which can achieve accurate access control easily
- ⦿ Support graded user management to implement humanized authority management
- ⦿ Support serial port status, parameters and communication statistical monitoring, making the communication status easy to read
- ⦿ Support RTS/CTS, DTR/DSR and XON/XOFF flow control
- ⦿ Support virtual serial port drive access mode and automatic connection recovery after network interruption
- ⦿ Flexible serial port data framing setting, which can satisfy user's various demands for data packets segmentation
- ⦿ Support standard TCP/IP SOCKET application access
- ⦿ TCP supports multi-connection, which allows maximum 4 users to monitor or manage the serial device simultaneously
- ⦿ UDP supports single machine or multi-machine communication, which allows multiple users to monitor or manage the serial device simultaneously
- ⦿ Support TELNET and Reverse TELNET modes, build TELNET protocol session to realize the conversion of serial port data and Ethernet data between terminal device and server
- ⦿ Support RFC2217 protocol, which can make serial port present in the host as local COM port
- ⦿ Support multiple configuration forms like Windows configuration tool, TELNET, SSHD and WEB
- ⦿ SSHD and HTTPS can guarantee the access security of data
- ⦿ Support multiple alarm methods, including e-mail alarm, log alarm and system alarm
- ⦿ Support multiple alarm events including power supply connection, warm start and cold start
- ⦿ Conduct network diagnosis and troubleshooting via Ping and Traceroute
- ⦿ Support ARP function, which can avoid the failure of communication due to the MAC address of serial server being aged by switch or router
- ⦿ Support static routing, routing table could be added manually

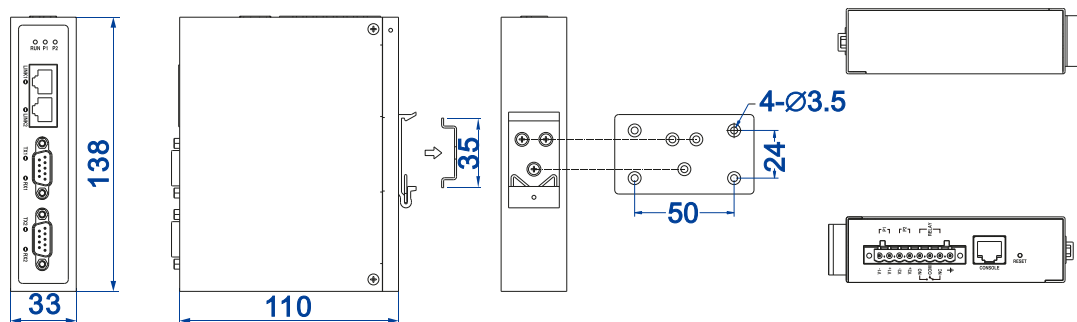
Dimension

Unit: mm

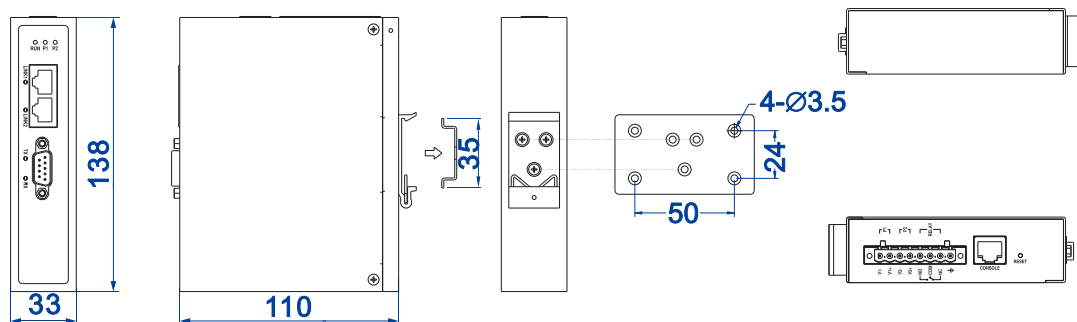
- NP5200-2T-4DI(3IN1)-DB



● NP5200-2T-2DI(3IN1)-DB



● NP5200-2T-1DI(3IN1)-DB



Specification

Ethernet

Standard: 10Base-T, 100Base-TX

Protocol: TCP, UDP, ARP, HTTP, HTTPS, TELNET, ICMP, SMTP, SNMP, DHCP, DNS

Rate: 10/100M Automatic Flow Control, MDI/MDI-X Autotuning

Interface form: RJ45

Interface quantity: 2

Duplex mode: Full/Half Duplex Mode Self-adaption

Work mode: each serial port can simultaneously establish up to 4

TCP/UDP session connections, support work modes such as RealCom, Reverse RealCom, TCP Server, TCP Client, UDP Server, UDP Client, Pair Master, Pair Slave, UDP

	Rang, UDP Multicast, Telnet, Reverse Telnet, RFC2217, Redundant COM, DRDAS RealCom and DRDAS TCP Server
Serial Port	<p>Standard: EIA RS-232C, RS-485, RS-422</p> <p>Quantity of serial port: 1/2/4/8 3IN1 serial ports</p> <p>RS-232 signal: RXD, TXD, DTR, GND, DSR, RTS, CTS, DCD</p> <p>RS-485 signal: D+, D-, GND</p> <p>RS-422 signal: T+, T-, GND, R+, R-</p> <p>Baud rate: 110bps-115200bps</p> <p>Data bit: 5bit, 6bit, 7bit, 8bit</p> <p>Parity bit: None, Even, Odd, Space, Mark</p> <p>Stop bit: 1bit, 1.5bit, 2bit</p> <p>Interface form: DB9</p> <p>Flow control: RTS/CTS, DTR/DSR, XON/XOFF</p> <p>Direction control: RS-485 direction adopts Automatic Data Direction Control (ADDC)</p> <p>Load capacity: RS-485/422 end supports 32 points polling (customizable 256 points)</p> <p>Transmission distance: RS-232, 15m; RS-485/422, 1200m</p> <p>Pull high/low resistor for RS-485: 4.7kΩ</p> <p>Electromagnetic isolation strength: 2kVDC</p>
Console Port	CLI command line management port (RS-232), RJ45
Configuration Method	WEB configuration management, TELNET configuration, Windows configuration tool, SSHD configuration
Security	User right classification, IP address filtering, MAC address filtering, SNMP/ Mail /System Log alarm, HTTP/HTTPS/SSHD/TELNET access control
Indicator	Power supply indicator, Ethernet port indicator, serial port indicator, running indicator
Power Supply	<ul style="list-style-type: none"> NP5200-2T-4DI(3IN1)-DB The power supply access terminal is 6-pin 5.08mm pitch terminal blocks (power supply occupies 4 pins in the left) Input power supply: 12~48VDC, dual power supply redundancy NP5200-2T-2DI(3IN1)-DB、NP5200-2T-1DI(3IN1)-DB The power supply access terminal is 8-pin 5.08mm pitch terminal blocks (power supply occupies 4 pins in the left) Input power supply: 12~48VDC, dual power supply redundancy

	Available Models	No-load (@12VDC)	Full-load (@12VDC)
Power Consumption	NP5200-2T-4DI(3IN1)-DB	1.68W	2.5W
	NP5200-2T-2DI(3IN1)-DB	1.8W	1.9W
	NP5200-2T-1DI(3IN1)-DB	1.4W	1.6W
Working Environment	Operating temperature: -40~75°C Storage temperature: -40~85°C Relative humidity: 5%~95%(no condensation)		
	Housing: IP40 protection, metal Installation: DIN-Rail mounting		
Physical Characteristic	NP5200-2T-4DI(3IN1)-DB : <ul style="list-style-type: none"> Dimension (W x H x D): 53mm×138mm×110mm Weight: 591g 		
	NP5200-2T-2DI(3IN1)-DB : <ul style="list-style-type: none"> Dimension (W x H x D): 33mm×138mm×110mm Weight: 470g 		
	NP5200-2T-1DI(3IN1)-DB : <ul style="list-style-type: none"> Dimension (W x H x D): 33mm×138mm×110mm Weight: 461g 		
Industrial Standard	IEC 61000-4-2 (ESD, electrostatic discharge), Level 3 <ul style="list-style-type: none"> Air discharge: ± 8kV Contact discharge: ±6kV 		
	IEC 61000-4-4 (EFT, electrical fast transient pulses), Level 3 <ul style="list-style-type: none"> Power supply: ±2kV Signal: ±1kV 		
Authentication	IEC 61000-4-5 (Surge), Level 3 <ul style="list-style-type: none"> Power supply: common mode±2kV, differential mode±1kV Signal: common mode ±2kV, differential mode ±1kV 		
	Shock: IEC 60068-2-27		
	Free fall: IEC 60068-2-32		
	Vibration: IEC 60068-2-6		
Authentication	CE, FCC, RoHS		

Ordering Information

Available Models	100M Copper Port	3IN1 (RS-232/485/422)	Power Supply
NP5200-2T-4DI(3IN1)-DB	2	4	12~48VDC dual power supply
NP5200-2T-2DI(3IN1)-DB	2	2	
NP5200-2T-1DI(3IN1)-DB	2	1	



Bismark Colombia, S.A.S.
Cra. 7 # 84A - 29, Of. 301
Bogotá, Colombia.
PBX: (+57) (601) 743-2828

info@bismark.net.co

Síganos:



@BismarkColombia

Distribuidor autorizado:

bismark

bismark.net.co